

# The Platform for Productivity



The simple and smart solution for HVAC/R installation and service.

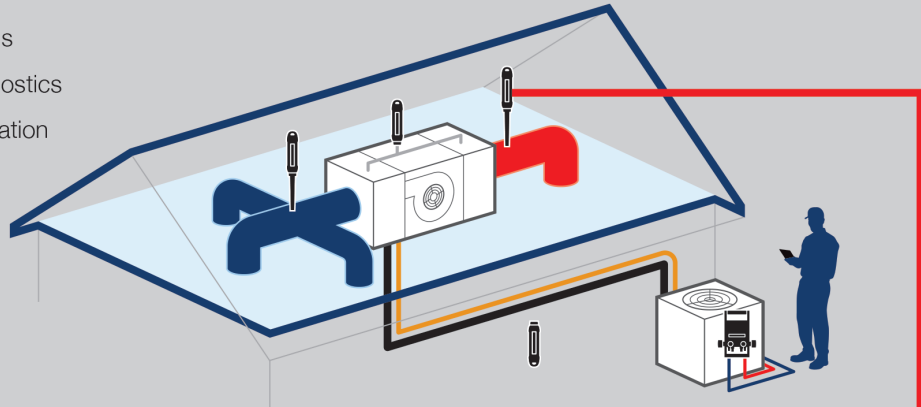
# iManifold® Works the Way You Do!

From residential to refrigeration, the iManifold system replaces the mechanical manifold and accommodates the simplest to the most complex systems you service. Modular and expandable, the Zigbee mesh network of wireless probes outperforms all Bluetooth solutions by talking probe to probe, or probe to your iManifold® 900C hub. Using this cutting-edge technology, the signal can be repeated and transmitted to almost unlimited distances.



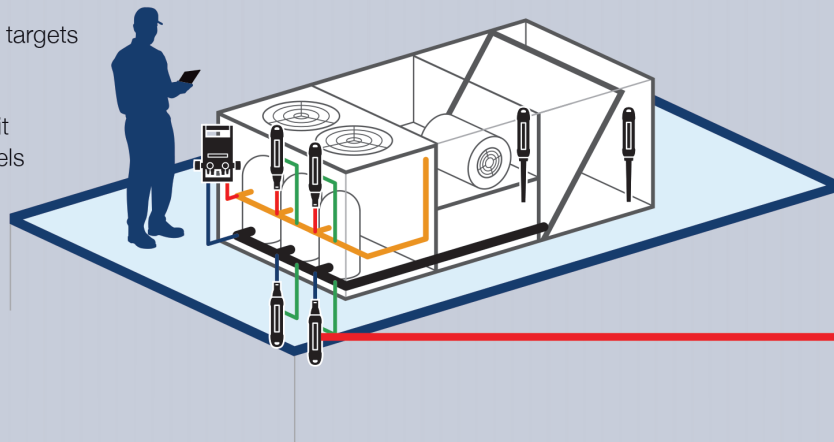
Residential

- Real-time system performance calculations
- Powerful onboard diagnostics
- Automatic airflow calculation
- Powerful reporting features
- Efficiency and time savings



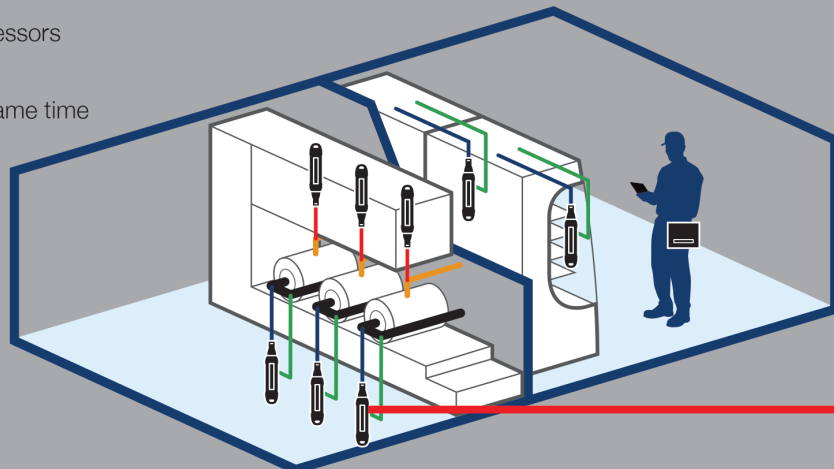
Commercial

- Calculates performance targets
- Monitor multiple stages
- Wireless probes transmit through equipment panels
- Automatic airflow calculation



Refrigeration

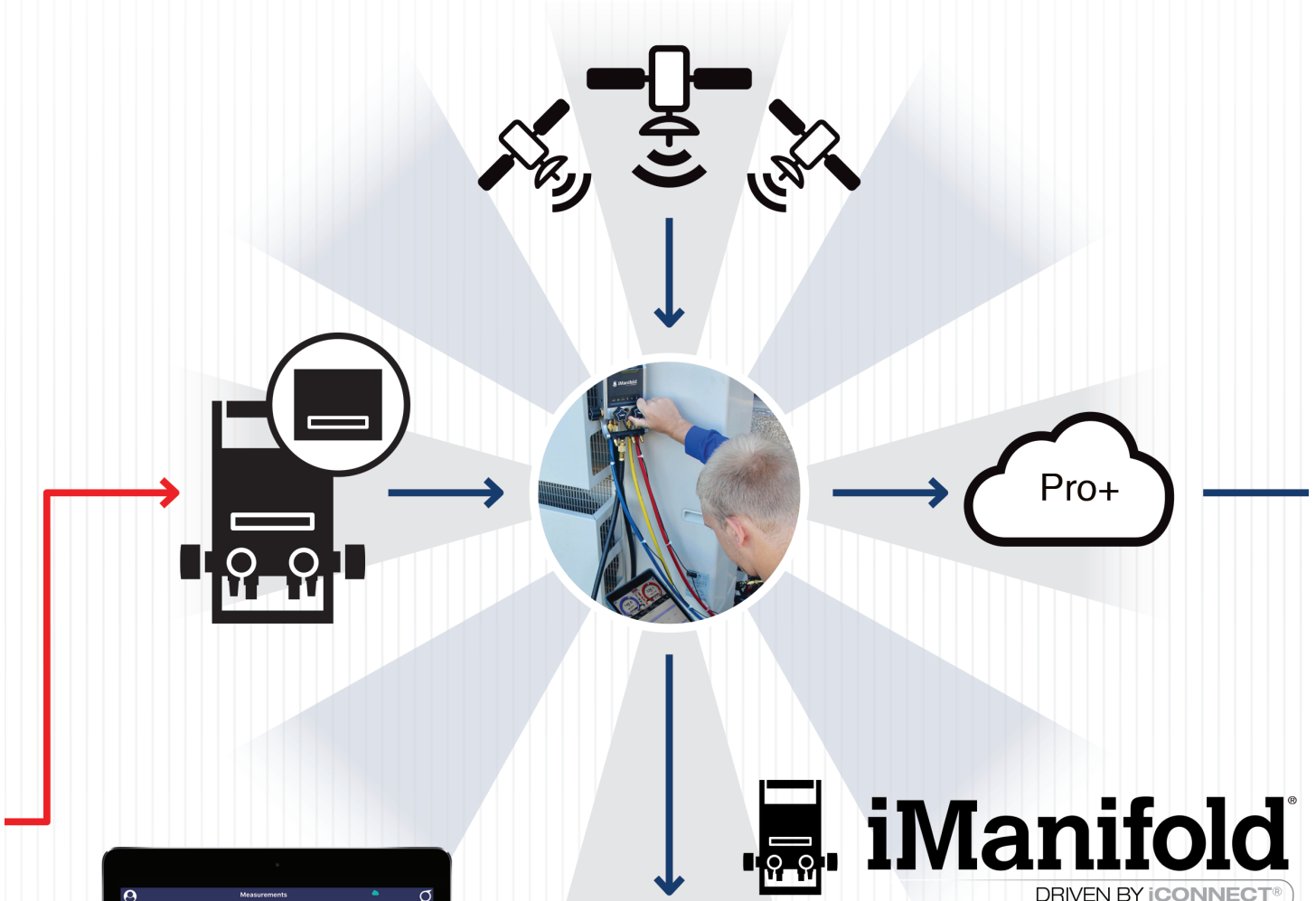
- Monitor multiple compressors
- Monitor evaporator and total superheat at the same time
- Monitor and set superheats on up to 12 cases simultaneously
- View superheat, box temperature, saturation temperature and pressure from a single probe



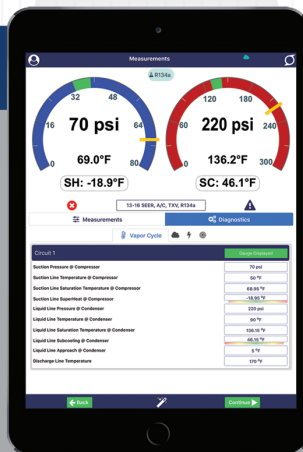
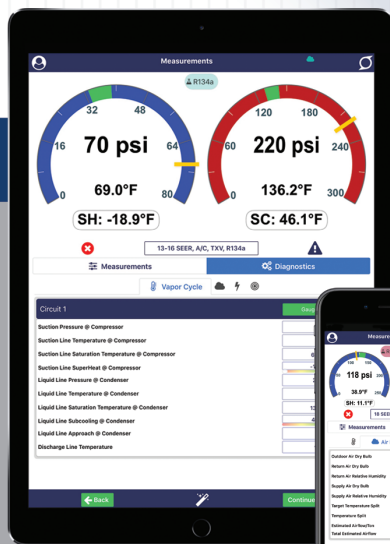
# Intelligent Communications Platform

Easily getting the “smart” from your smart device

From the probes to the iManifold® 900M or 900C into the iManifold Pro+ cloud then back to the interested party, the iManifold platform is all about getting verifiable data from the field to the decision maker. Show your customers with confidence and professionalism that the service you sell provides the value they expect.



**iManifold**  
DRIVEN BY iCONNECT®





## The iManifold App 2.0

- Easy to read display
- Target pressure calculated and displayed
- Over 45 refrigerant profiles
- Equipment profiling
- Calculates target superheat for fixed metering device
- Calculated target zones for superheat, subcooling and discharge line
- Troubleshooting

# iManifold Pro+™ Solutions

Data is power. iManifold offers a true data access solution for the pro.

<b>Contractor</b>		<b>Distributor</b>	
<ul style="list-style-type: none"> <li>• Increased profitability; typical return on investment in 3 months or less</li> <li>• Reduced call backs</li> <li>• Uniform service and installation processes</li> <li>• Lightning-fast field technical support using Tech Connect</li> <li>• Huge productivity gains</li> </ul>		<ul style="list-style-type: none"> <li>• Offer real cutting-edge technology solutions</li> <li>• Increased equipment sales</li> <li>• Increased contractor satisfaction</li> <li>• Reduced warranty claim processing</li> </ul>	
<b>OEM</b>		<b>ESCO/Utility</b>	
<ul style="list-style-type: none"> <li>• Verify new install system performance</li> <li>• Delivery of engineered efficiency</li> <li>• Access to quality field data</li> <li>• Increased brand satisfaction through optimal operation</li> <li>• Reduced warranty claims</li> </ul>		<ul style="list-style-type: none"> <li>• Verified field data</li> <li>• 3rd party verification without travel</li> <li>• Easy integration of exported data</li> <li>• Rock-solid software and hardware</li> </ul>	

## Support

Tech Connect™



Remotely view a live version of what your technicians are seeing in the field.

## Verify



Verification in Field assures that the data reported is the actual data measured in the field.

## Reporting



All reports include your company, customer and equipment information as well as measurement data collected.



# Productivity Gains with the iManifold® Platform

The award-winning iManifold 900M - the first smart device compatible digital manifold - uses remote viewing on a technician's smart device. Download the free iManifold App and your smart device will display system pressures, temperatures, superheat and subcooling while simultaneously calculating performance targets. Eliminate manual calculations, analyze data, troubleshoot and generate performance reports directly from your smart device.

The iManifold App becomes more powerful with each new release. New wireless probes for temperature, humidity, and pressure are designed to greatly improve technician productivity and jobsite efficiency.

The iManifold 900C provides a portable wireless solution. Range issues are eliminated because the iManifold 900C travels with you. A roaming node within the network, it reconfigures its path to the probes, providing significant jobsite mobility.

The 900M with Integrated Manifold.



## Tech Connect™



Share field data in real time: tech-to-tech, tech to wholesaler, or tech to manufacturer. Tech Connect allows you to stream data to anyone within your group for troubleshooting help or simply a second set of eyes. Use video, voice, text, and email to communicate.

## Equipment Profiling



Profile A/C, refrigeration or heat pump systems. The iManifold application troubleshoots over 40 different problems and measures airflow, performance, efficiency and more.

## Reporting



Powerful reporting software gathers all of the field data in seconds. Formatted, verified, and delivered to email, standard and custom reports are available to keep your technicians consistent and wow your customers.

## Quick Tests



The iManifold application offers several quick tests for airflow and heating applications. These standard industry tests, now automated by the iManifold application and software, are super fast and done to a high degree of accuracy.

## Trending



Trending allows the technician to see changes in performance, visually, by graphing measurements as they happen. See where measurements are headed to ensure that equipment performance is trending in the right direction.

## Probe Mapping



The iManifold application allows the user to have almost complete control of what probes are used to take what measurements. Users can quickly map probes for ambient temperatures, air temperatures, pressures and more.

The 900C Hub for Full Mobility.



## iManifold Pro+



This service allows access to Tech Connect, data storage, web-based reporting, report storage and gives your your company access to data from the field or the office.

## Wireless



Let's face it: wireless is only great when it works. Zigbee mesh allows for multiple-path communication in an easily expandable network and provides long-range communication.



# Products & Accessories



Part No.	Description
900M	<b>iManifold® Wireless Digital Refrigeration Manifold.</b> Includes strap with hook, (2) 901M pipe strap probes, (6) AA batteries and Quick Start Guide.
900C	<b>iManifold 900C Portable Measurement System.</b> Use wireless and wired probes to simultaneously measure and monitor temperatures, pressures, or relative humidity. Includes (6) AA batteries.

## Accessories for iManifold

901M	<b>Thermistor Pipe Strap Surface Probe.</b> Temp range: -25° to 212°F. 8" elastic strap.
902M	<b>Thermistor Air Probe (0.5") with 4" cord.</b> Temp range: -40° to 200°F.
903M	<b>Thermistor Air Probe (0.5") with 12 ft. cord.</b> Temp range: -40° to 200°F.
904M	<b>General Purpose Thermistor Puncture Probe (3.5").</b> Used to measure temperatures by insertion or immersion. Temp range: -40° to 300°F. 6 ft. cable (uncoiled).
905M	<b>Thermistor Pipe Clamp Surface Probe.</b> For pipe diameters up to 1-3/8" (3.5cm).

## Wireless Probes

All wireless probes also act as repeaters

911M	<b>Relative Humidity and Temperature.</b> Measures return & supply wet-bulb, dry-bulb, relative humidity.
912M	<b>Temperature.</b> Has 2 side ports to plug in any optional wired probes for auxiliary temperatures.
913M	<b>Low Pressure &amp; Temperature.</b> Use for measuring low side system pressure & line temperatures with optional wired probes.
914M	<b>High Pressure &amp; Temperature.</b> Use for measuring high side system pressure & line temperatures with optional wired probes.
921M	<b>Manometer.</b> ± 2" WC (500Pa) range. Zero-drift. 0.000 resolution. Ideal for total external static pressure, airflow measurements, or zonal de-pressurization. Includes (2) 5' lengths of 1/8" I.D. translucent silicone tubing with flush mount magnetic static pressure tips.



Organize your gear & outfit yourself with a new backpack! Included with all kits.

## iManifold Performance Test Kits

915M	<b>iManifold 900M Performance Test Kit.</b> 900M, 911M (2), 902M, 905M, BP17 Backpack.
916M	<b>iManifold 900M Performance Test Kit with Hoses.</b> 900M, 911M (2), 902M, 905M, 955MRS hose set, BP17 Backpack.
917M	<b>iManifold 900M A/C Heat Pump Performance Test Kit.</b> 900M, 911M (2), 912M, 903M, 955MRS hose set, BP17 Backpack.
918M	<b>iManifold 900M Custom Refrigeration Multi Compressor/4 Circuits Performance Test Kit.</b> 900M, 911M (2), 912M, 913M (3), 914M (3), 901M (6), 903M, 955MRS hose set, BP17 Backpack.
919M	<b>NYSERDA Approved 900M Quality Maintenance Kit,</b> 900M, 911M (2), 912M, 913M, 914M, 901M (2), 902M, 903M, 905M, 900C, and BP17 Backpack.
920M	<b>iManifold 900M Performance Test Kit with Repeater Probe,</b> 900M, 911M (2), 912M, 902M, 905M, 955MRS hose set, and BP17 Backpack.

## iManifold 900C Performance Test Kits

915C	<b>iManifold 900C Airside Performance Test Kit.</b> 900C, 911M (2), BP17 Backpack.
916C	<b>iManifold 900C Performance Test Kit with Airflow Measurement.</b> 900C, 901M (2), 902M, 905M, 911M (2), 912M, 913M, 914M, BP17 Backpack.
917C	<b>iManifold 900C Residential Test Kit with Airflow Measurement.</b> 900C, 911M (2), 912M, 913M, 914M, 901M (2), 903M, BP17 Backpack.
918C	<b>iManifold 900C Custom Refrigeration Multi Compressor/4 Circuits Performance Test Kit.</b> 900C, 911M (2), 912M, 913M (4), 914M (4), 901M (8), 903M, BP17 Backpack.
925C	<b>iManifold 900C Basic Performance Test Kit.</b> 900C, 901M (3), 902M, 911M (2), 913M, 914M, Backpack.

## Custom Program Test Kits

950M	<b>iManifold Custom Program Test Kit, 2-Circuit Extended Range.</b> 900M, 912M, 911M (3), 901M (2), 913M, 914M, 955-MRS, Backpack.
951M	<b>iManifold Custom Program Test Kit, 4-Circuit Extended Range.</b> 900M, 912M, 911M (3), 901M (6), 913M (3), 914M (3), 955-MRS, Backpack.
952C	<b>iManifold 900C Custom Program Test Kit, 1-Circuit Extended Range.</b> 900C, 911M (3), 901M (2), 905M, 912M, 913M, 914M, Backpack.



**iManifold**  
DRIVEN BY iCONNECT®

www.iManifold.com

The iManifold app is available for free download



North Park Innovations Group, Inc.  
P.O. Box 900, 6442 Route 242 East | Ellicottville, NY 14731 | (716) 699-2031  
©2017 North Park Innovations Group, Inc. All rights reserved.  
Patented US 723 4313 and Other Patents Pending.

Scan to learn more



Download free app