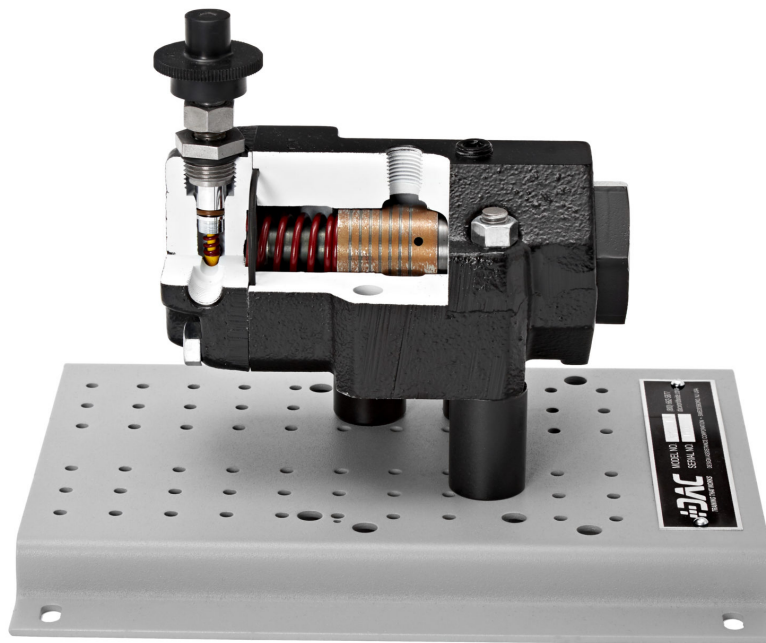


Hydraulic Sequence Valve Cutaway, Balanced Piston-Type



Model: 773-213

DAC Worldwide's Hydraulic Sequence Valve Cutaway (773-213) is a sectioned hydraulic sequence valve example with a two-stage balanced piston design, which incorporates a commonly-encountered valve type manufactured by an industry leader. These types of valves limit hydraulic system pressure by diverting a set amount of hydraulic fluid through a tank port. Common components include a pressure adjustment screw, poppet, heavy spring, vent connection, port connections, and a piston.

A specialized, angled formed-steel support assembly - and an on-board graphic of the component's symbol - enhances the device's usefulness to the instructor and encourages self-discovery by the student. Multiple cutaways unveil all internal components including pistons and inlet/outlet connections. The training aid also enhances classroom training in hydraulic system design, maintenance, troubleshooting, and preventive/predictive maintenance. The full-size, fully-detailed example gives learners a first-hand view into a component that is found in various applications worldwide.

Thanks to carefully planned sectioning, the complete internal configuration of this hydraulic sequence control valve can be seen, while allowing for disassembly for more complete inspection and convenient classroom training in the operation, construction, and maintenance of these common pieces of hydraulic equipment. This professionally-crafted, yet-economical component sample will enhance fluid power training activities in both the industrial and the educational setting.

FEATURES & SPECIFICATIONS

- Component selected for industrial relevancy from well-known US manufacturers
- Full component cutaway unveiling flow path, internal components, and operating principle
- Powder-coated 13-gauge formed-steel mounting bracket allowing for independent support/display or mounting on specialized optional steel mounting baseplates and display structures
- Refinishing of external surfaces, if warranted, using a high-durability urethane coating
- Durable membrane-type, adhesive-backed identification label with component description and symbol
- Provision for mounting on related optional, display, and storage structures

PRODUCT DIMENSIONS Contact DACW

OPTIONS Recommended 902V Mobile Display Stand

Address

DAC Worldwide
3 Killdeer Court, Suite #301
Swedesboro, NJ 08085

Contacts

email: contact@dacworldwide.com
phone: (800) 662 5877