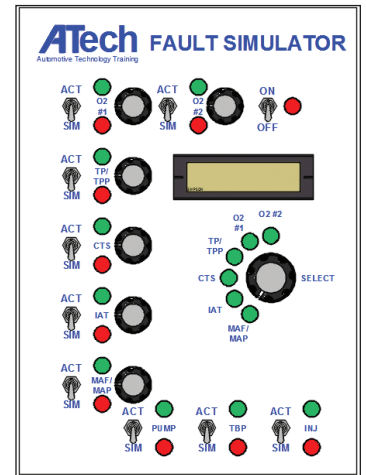
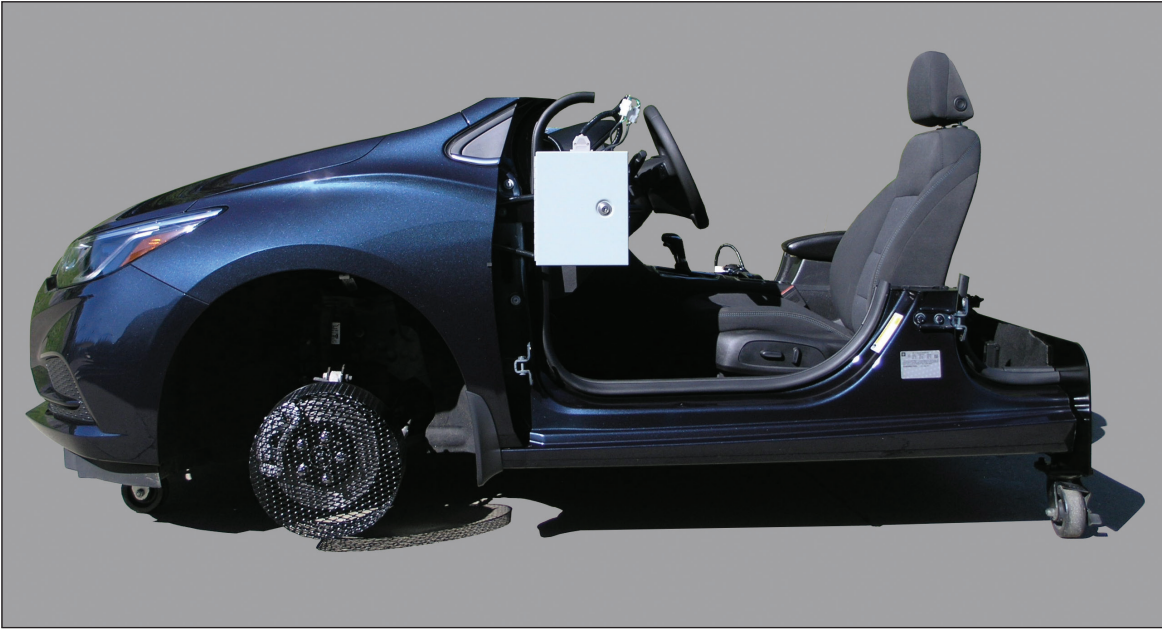


Automotive Technology Trainer (model 600)



Features:

- The Automotive Technology Trainer or “car clip” is a late model “recycled” front-wheel-drive vehicle
- Assists in the study and diagnosis of most automobile systems including:
 - » Engine Performance
 - » Electrical / Electronic
 - » Suspension / Steering
 - » Brake
 - » Heating / Air Conditioning
 - » Transmission
- Aids in developing real-world system skills and knowledge
- Performs actual service manual diagnostic procedures
- Includes an ATech Fault / Simulator Panel with multiple faulting options and features including:
 - » Real-time voltage readouts for various selectable sensors
 - » Individual or multiple sensors are selectable for voltage substitution
 - » Voltage adjustment potentiometers for each sensor
 - » Interactive demonstration / study of fuel control by oxygen sensor feedback
 - » Demonstrates catalytic convertor “punch-through”
 - » Investigates downstream oxygen sensor’s control of fuel trim
 - » And much more...
- Trainer sits on casters for ease of mobility
- ASE task list and record keeping sheets

Technical Education Products, Inc.
87 South Road • Hampden, MA 01036
Toll Free: 800-487-6825
Phone: 603-595-9730 • Fax: 775-587-5334
E-mail: info@techedproducts.com
www.techedproducts.com

ATech
Training™